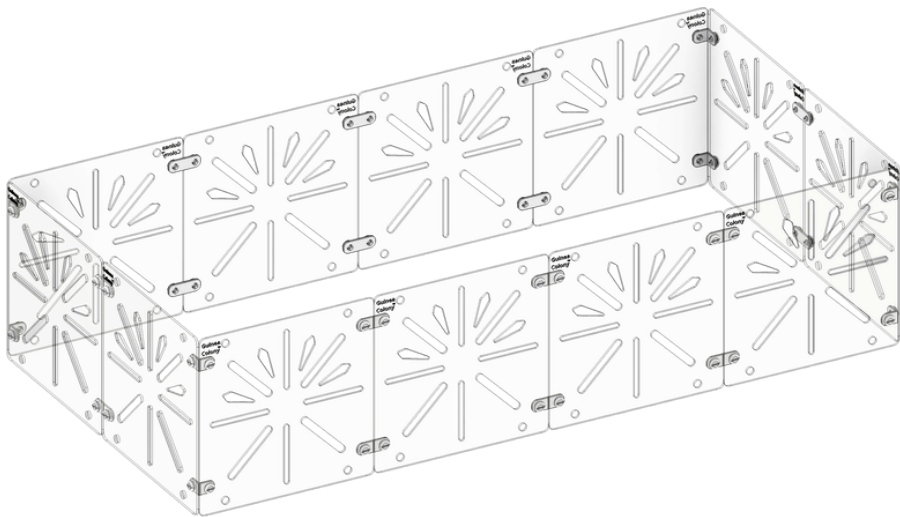
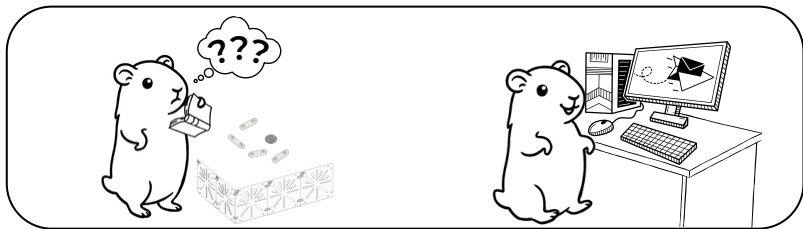
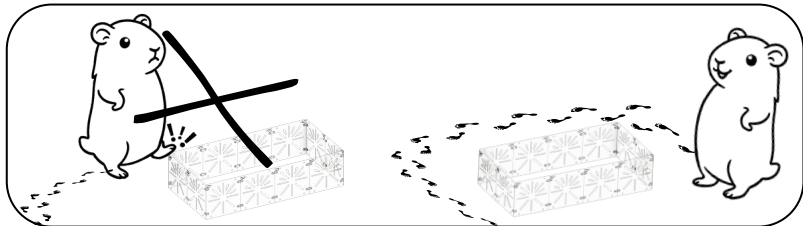
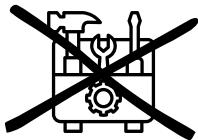
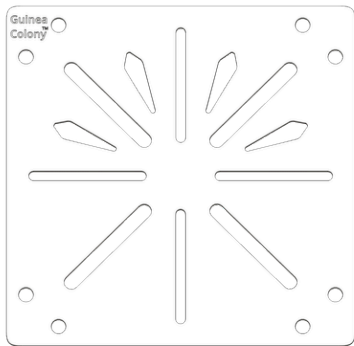


# 2x4 Starter Kit Instructions



**CRITTER  
COLONY CLUB**





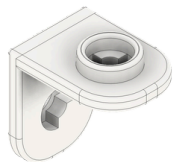
**12x**

CC-PT-TL-CL-001



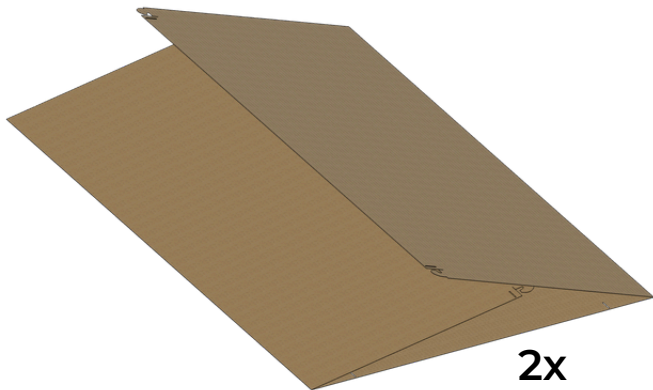
**16x**

CC-PT-SC-CL-001



**8x**

CC-PT-BC-CL-001



**2x**

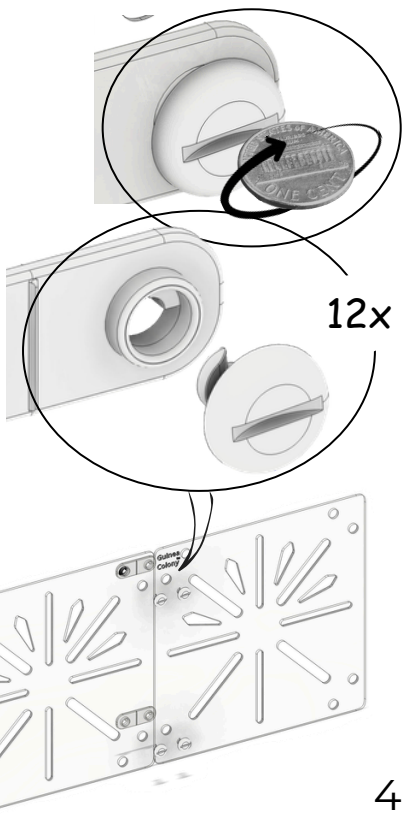
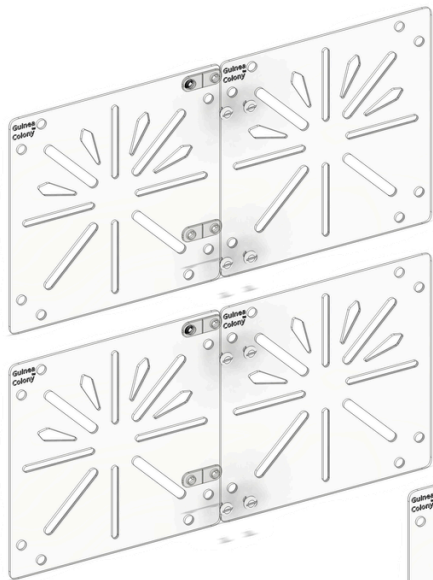
CC-PT-FL-2X4-KR-001



**50x**

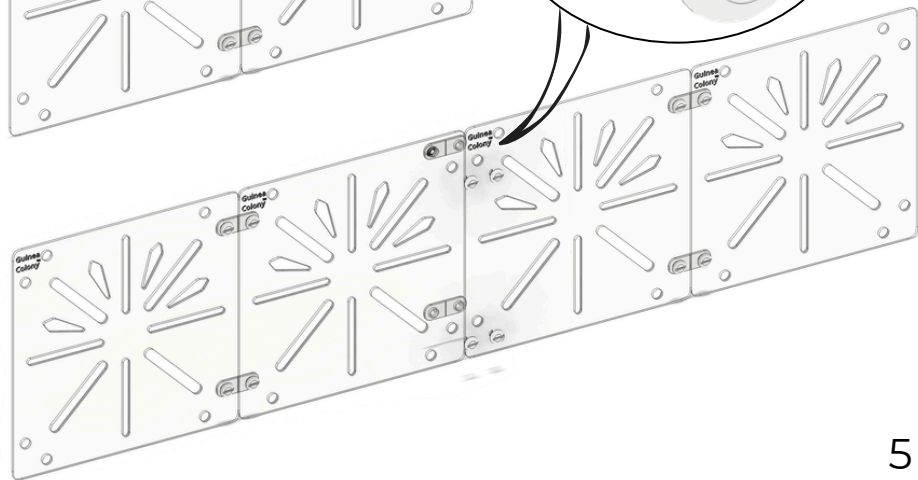
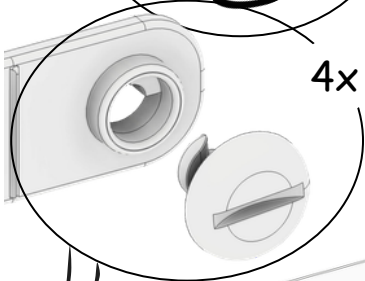
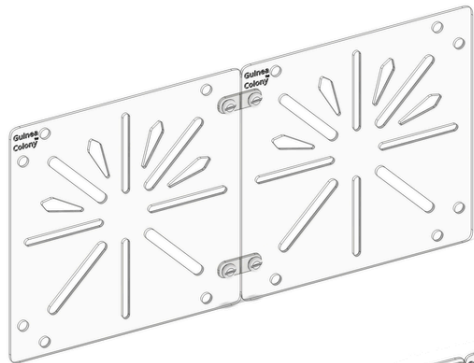
CC-PT-BLT-CL-001

# 1

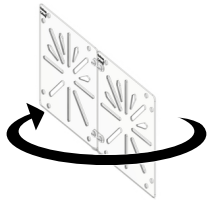


4

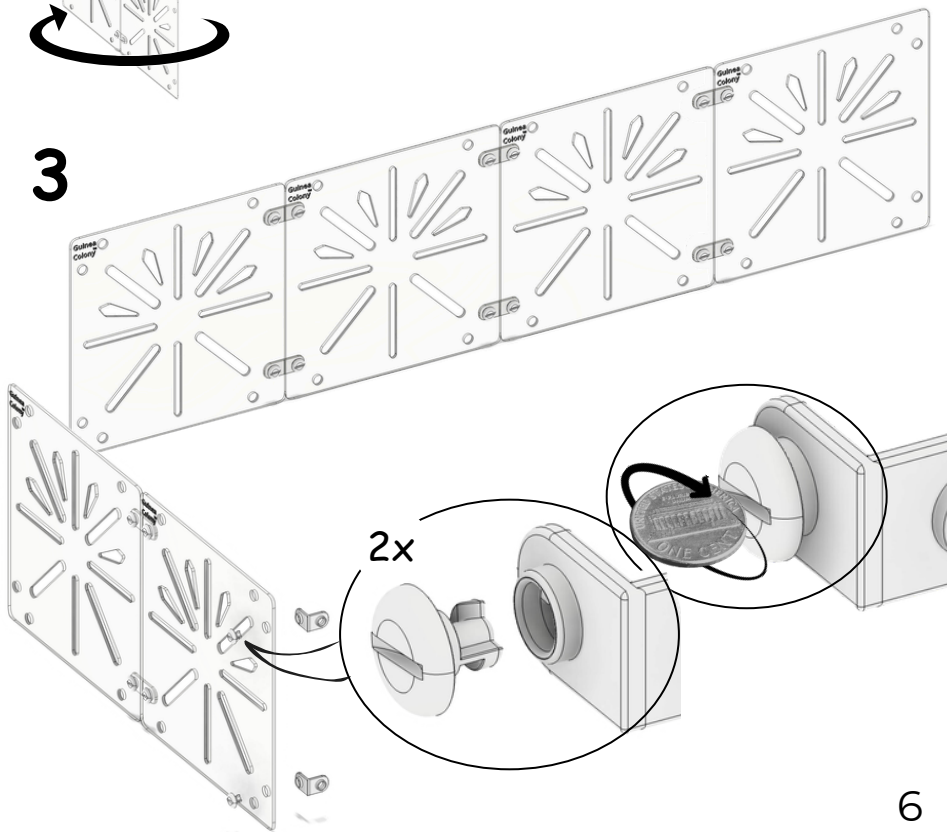
2



5

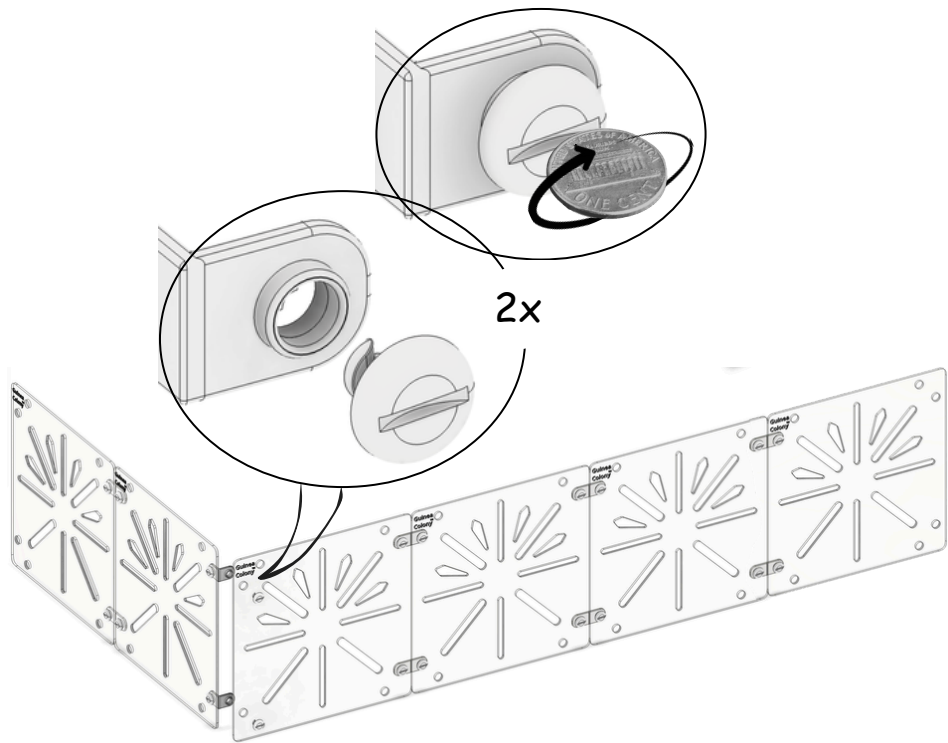


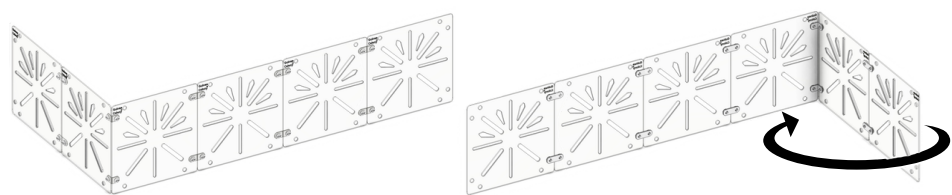
**3**



**6**

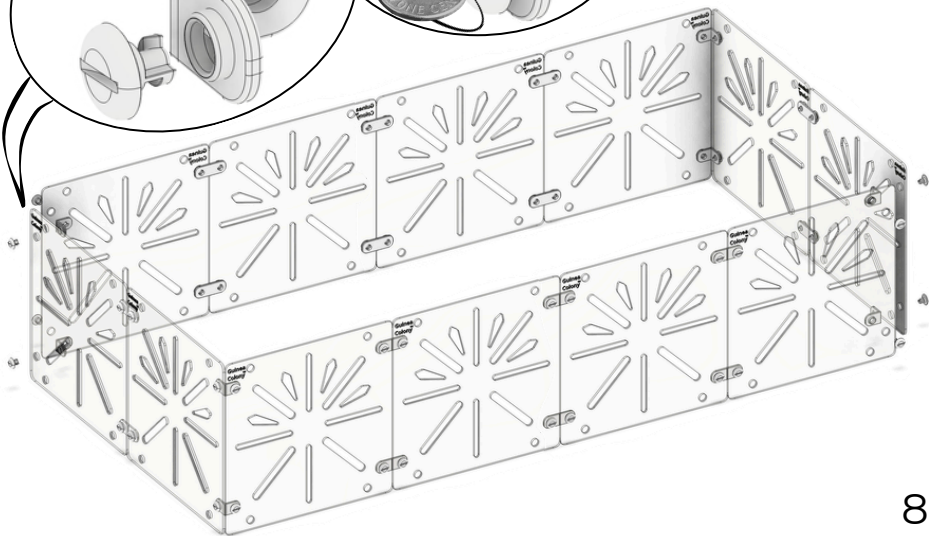
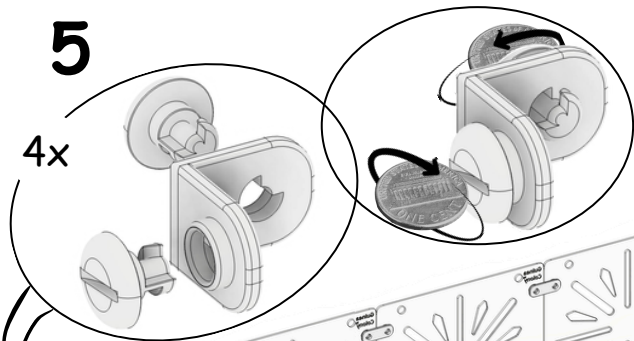
4



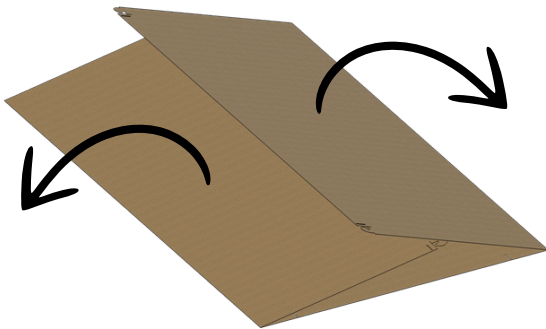


**5**

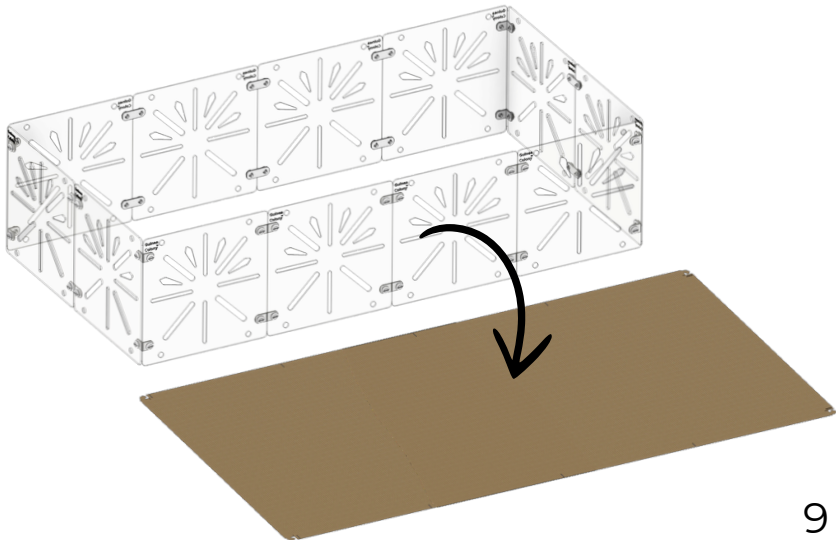
**4x**



6

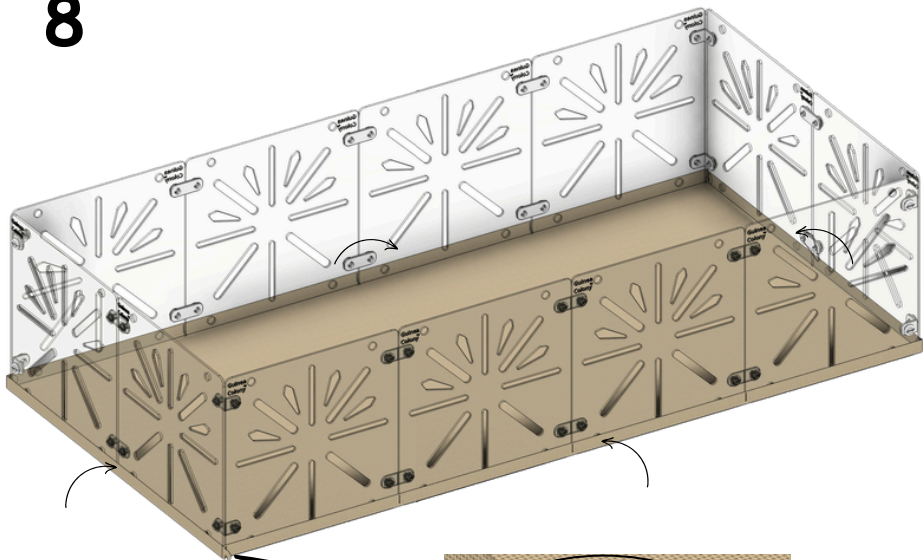


7

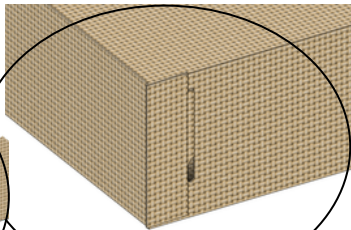
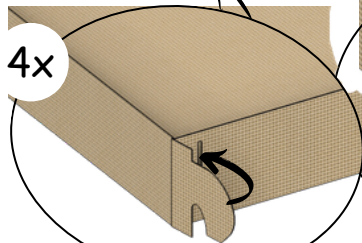


9

8



4x



10



[StarterKitInstructions.GuineaColony.com](https://StarterKitInstructions.GuineaColony.com)