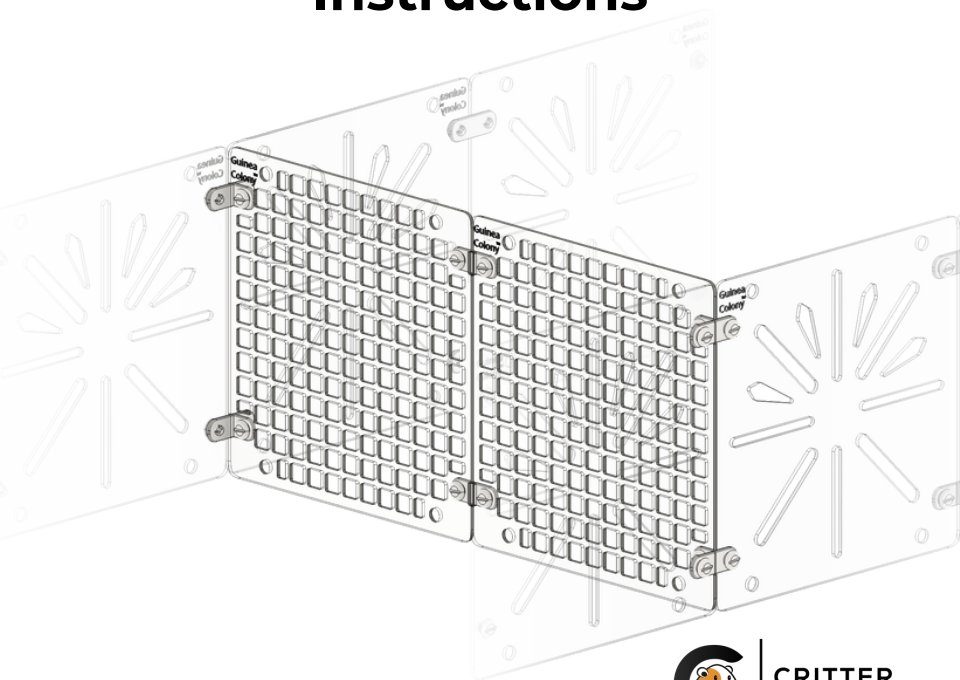
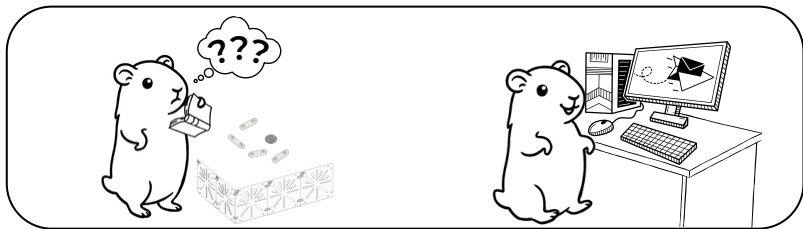
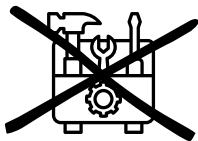
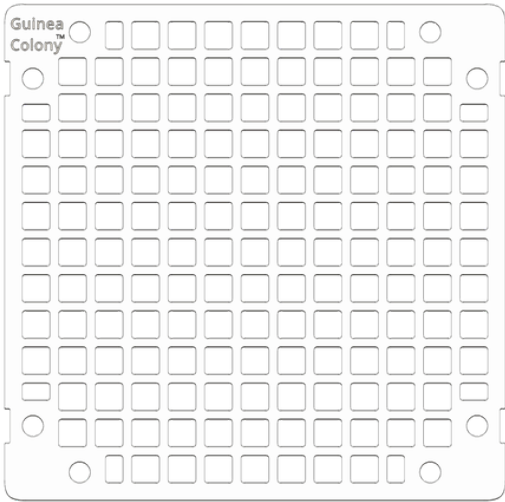


# Divider Accessory Pack Instructions



**CRITTER  
COLONY CLUB**





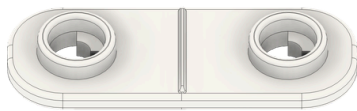
GC-PT-DT-CL-001

**2x**



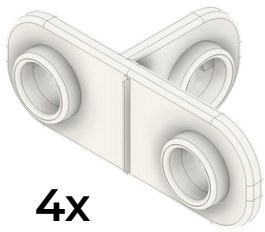
GC-PT-BLT-CL-001

**16x**



GC-PT-SC-CL-001

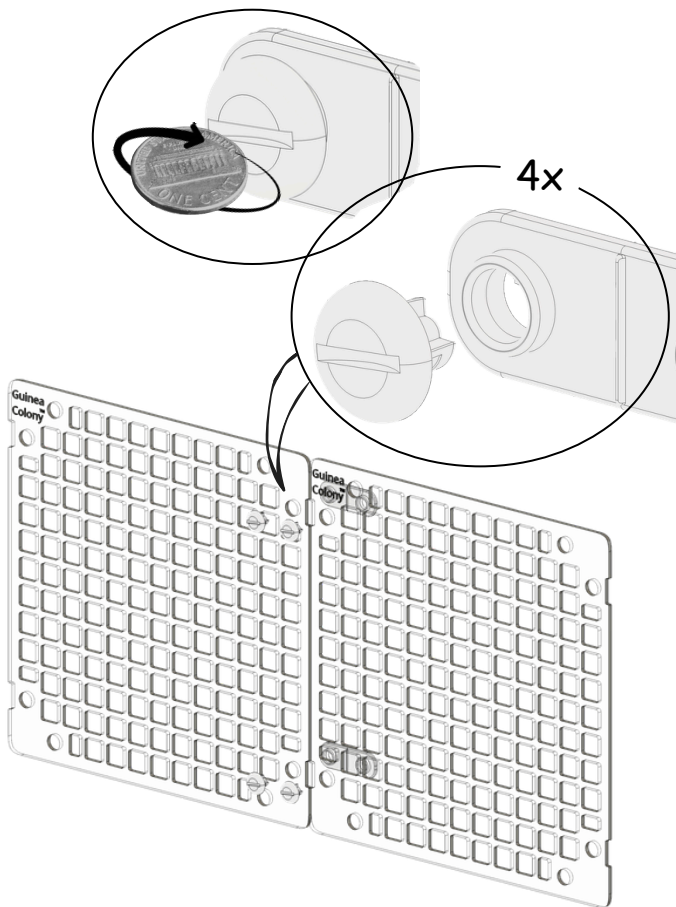
**2x**



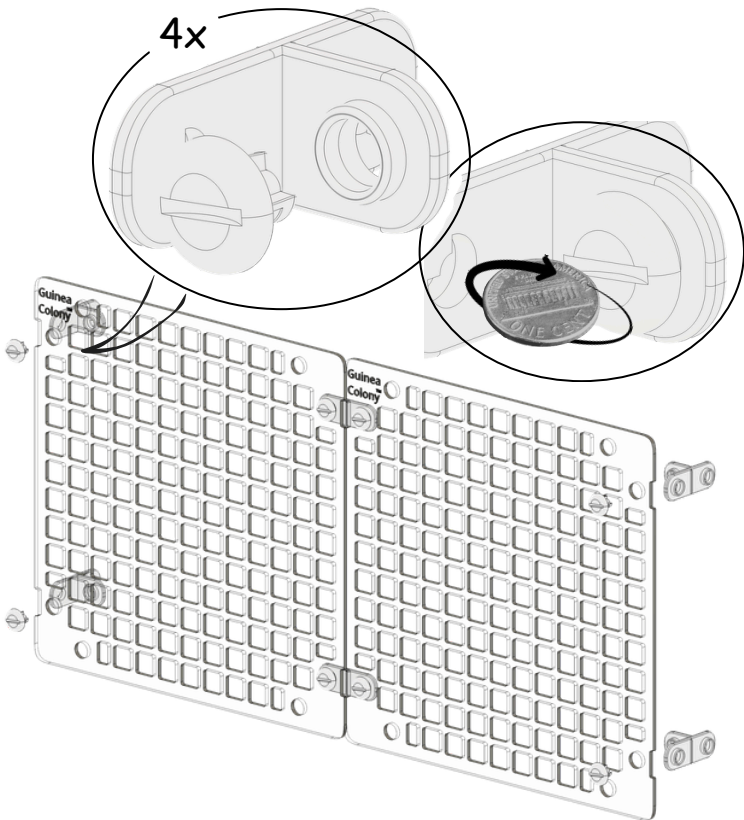
GC-PT-DC-CL-001

**4x**

1

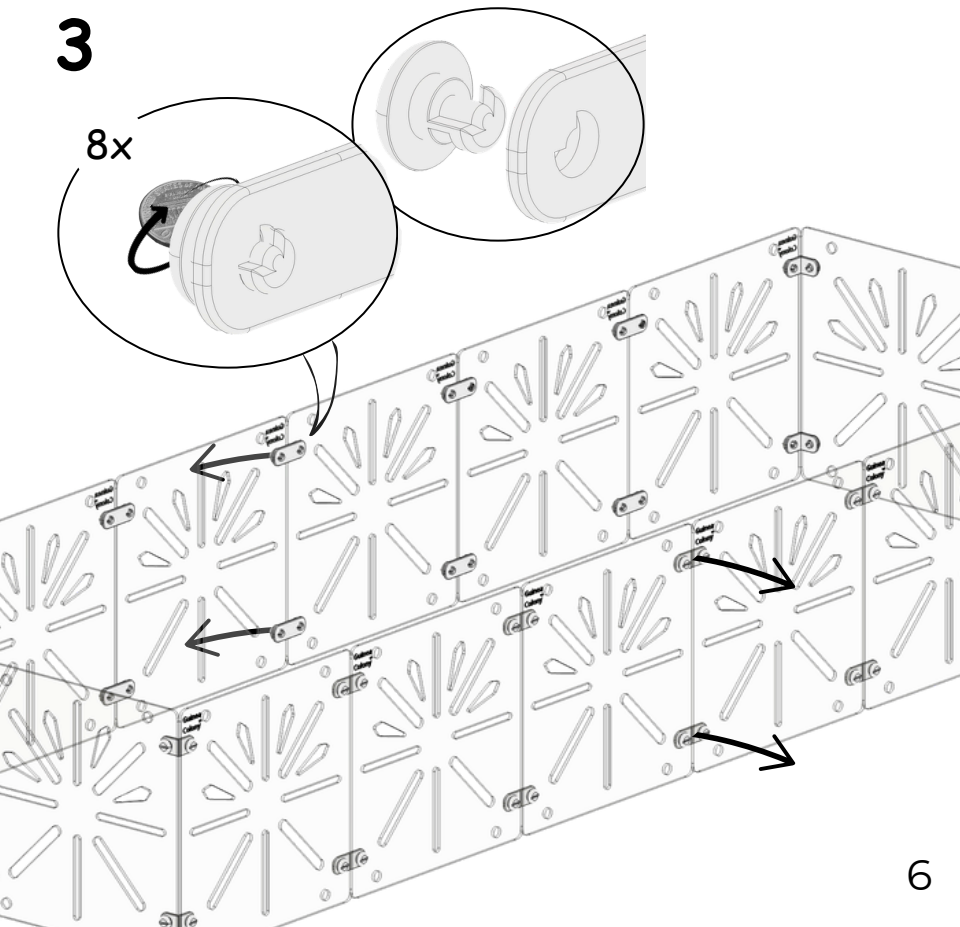


2



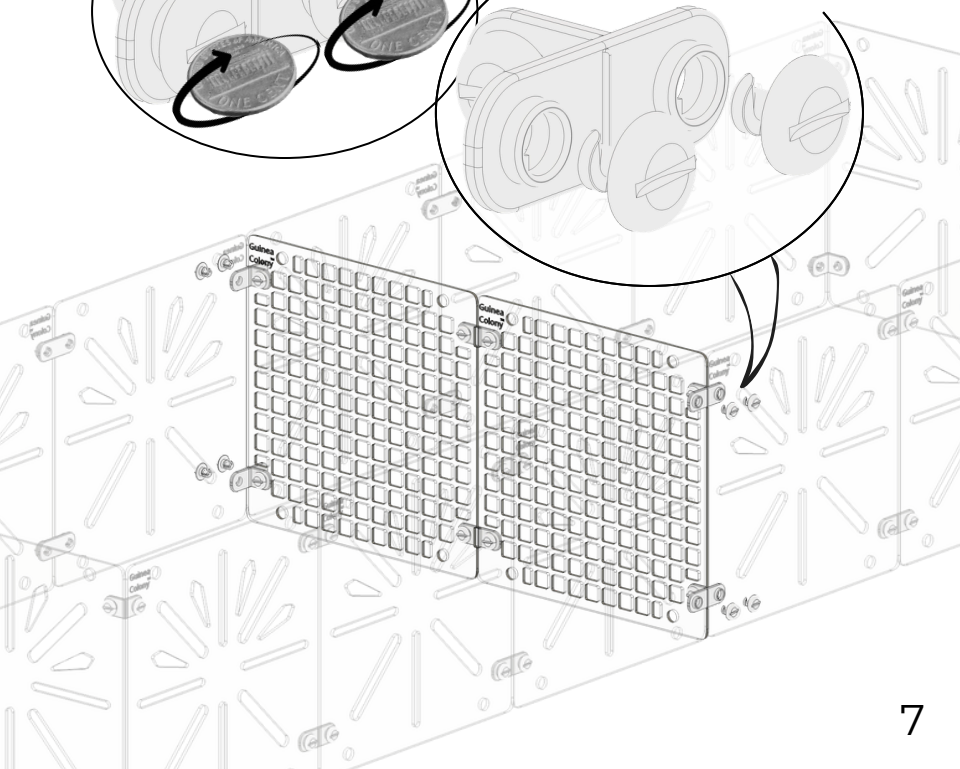
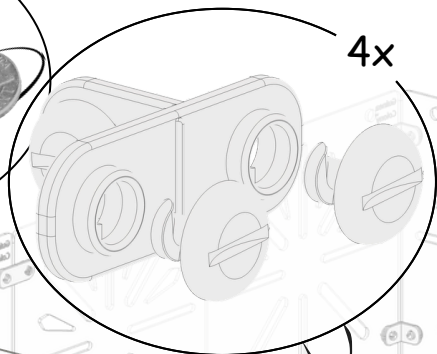
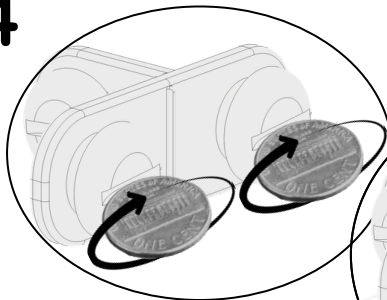
**3**

**8x**



**6**

4



7



[DividerAccessoryPack.GuineaColony.com](http://DividerAccessoryPack.GuineaColony.com)